

## MONO 20W Solar Panel

### Technical parameter(with tolerance +/-3%)

Maximum Power(W)	20W
Optimum Power Voltage(Vmp)	17.28V
Optimum Operating Current(Imp)	1.16A
Open Circuit Voltage(Voc)	21.24V
Short Circuit Current(Isc)	1.31A
Cell Efficiency (%)	14,65%
Module Efficiency (%)	10,95%

### Mechanical Characteristics

Cell Type	Monocrystalline 62.5x62.5mm
No.of Cell	36(4x9)
Dimensions	630*290*25mm
Weight	2.2kgs
Front Glass	3.2mm,High Transmission, Tempered Glass
Frame	Anodized Aluminium Alloy
Junction box	IP65 Rated
Output Cable	Depends on customers requirements

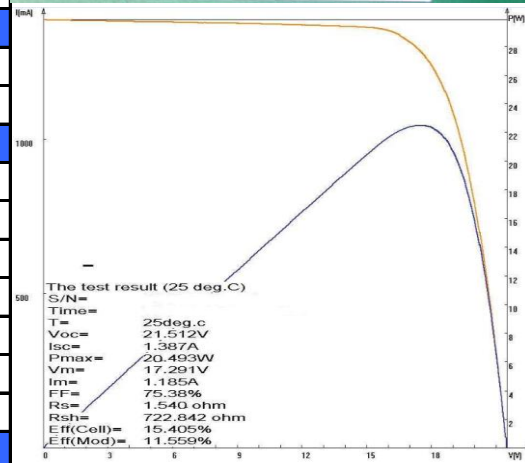
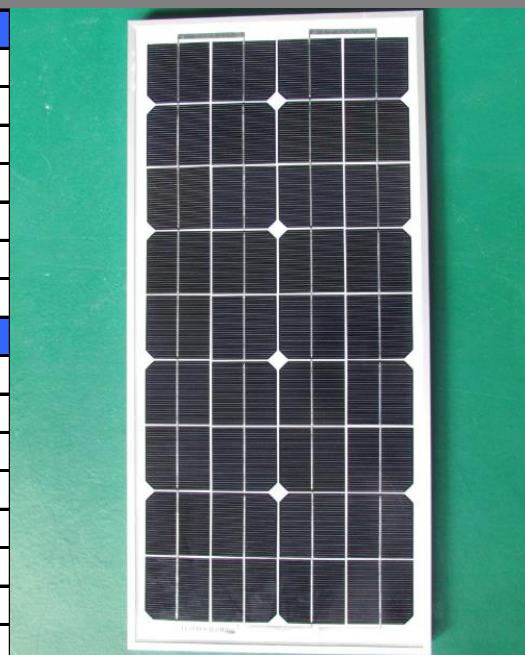
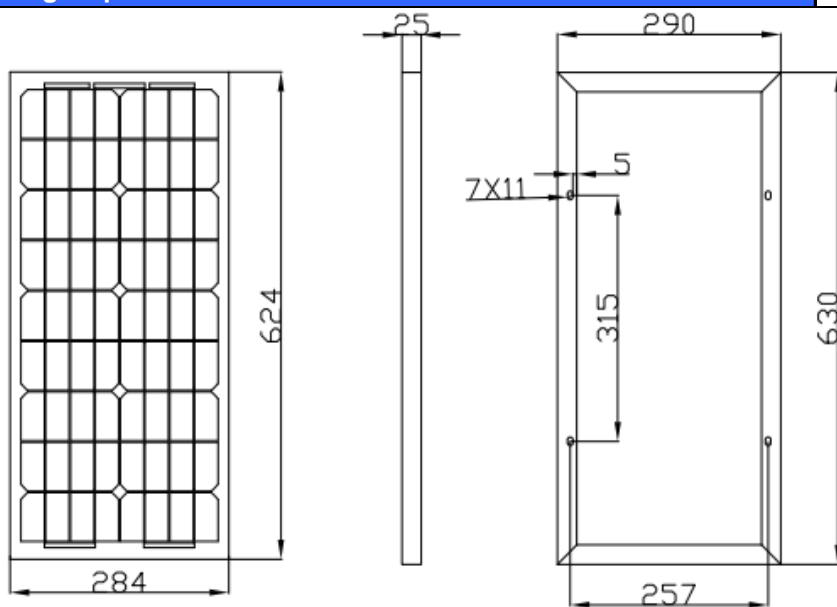
### Packaging Configuration

730*1100*460mm	43Pcs/Pallet,	3440Pcs/20'GP
1300*1100*410mm	80Pcs/Pallet,	8640Pcs/40'HQ

### Temperature and Coefficients

Operating Temperature(°C):	- 40°C ~ + 85°C
Temperature Coefficients of Pmax:	- 0.48%/°C
Temperature Coefficients of Voc:	- 0.35%/°C
Temperature Coefficients of Isc:	0.04%/°C
Maximum System Voltage:	600V(UL)/1000V(IEC) DC
Maximum Rated Current Series:	10A
Nominal Operating Cell Temperature:	47°C(±2°C)

### Panel Drawing Map



### Energia (Elétrica)

Fabricante	Solar Energia
Marca	Solar Leading
Modelo	SLSM36-20W
Mais eficiente	<b>A</b>
	<b>B</b>
	<b>C</b>
	<b>D</b>
Menos eficiente	<b>E</b>
<b>EFICIÊNCIA ENERGÉTICA (%)</b>	<b>10,9</b>
Área Externa do Módulo (m²)	0,18
Produção Média Mensal de Energia (kWh/mês)	2,50
Potência nas condições Padrão (W)	20
<small>Regulamento Específico Para Uso da Etiqueta Nacional de Conservação de Energia                  Linha de Sistemas de Energia Fotovoltaica - RESPD03-FOT                  Instruções de instalação e recomendações de uso, leia o Manual do aparelho</small>	
<b>PROCEL</b>	<b>INMETRO</b>
<small>IMPORTANTE: A REMOÇÃO DESTA ETIQUETA ANTES DA VENDA ESTÁ EM DESACORDO COM O CÓDIGO DE DEFESA DO CONSUMIDOR</small>	

### Quality guarantee

- 1) Industry leading power output warranty(10 years/90%,25years/80%)
- 2) 5-year warranty on product-materials and processing technology
- 3) ISO9001:2000(Quality System Management) certified factory

\*Data under standard testing conditions(STC)

1000W/m2, AM1.5, 25°C