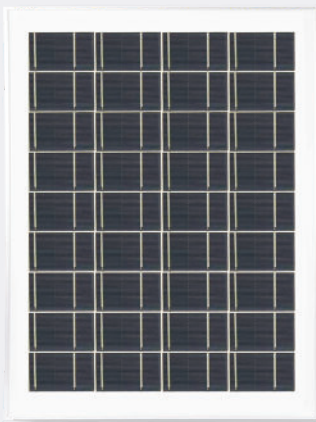




WWW.RESUNSOLAR.COM



# RSM010P

RSM010P is a robust solar module with 36 solar cells. These modules can be used for off-grid solar applications. Our meticulous design and production techniques ensure a high-yield, long-term performance for every module produced. Our rigorous quality control and in-house testing facilities guarantee Resun Solar's modules meet the highest quality standards possible.

**36 Cells**

Poly-crystalline

**10W**

Power output

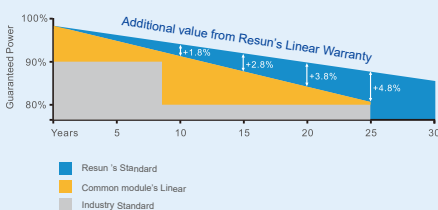
**11.9%**

The Highest Efficiency

**0~+5W**

Tolerance

**0.5% Annual Degradation  
over 30 years**



High module conversion efficiency (up to 11.9%), through superior manufacturing technology



Guaranteed 0~+5W positive power output tolerance ensures high reliability



Anti-reflective, hydrophobic coating improves light absorption and reduces surface dust



Excellent performance under low light environments (mornings, evenings and cloudy days)



Suitable for harsh environments, such as coasts, deserts and lakes. Withstand high level of wind loads (2400pa) and snow loads (5400pa)

## Full range of products and certification systems

ISO 9001 TUV PID-FREE CE IEC61215/61730/61701/62716



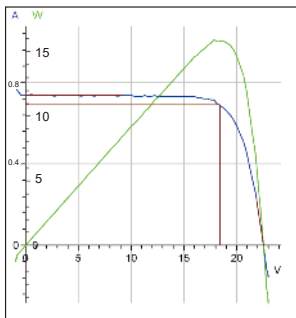
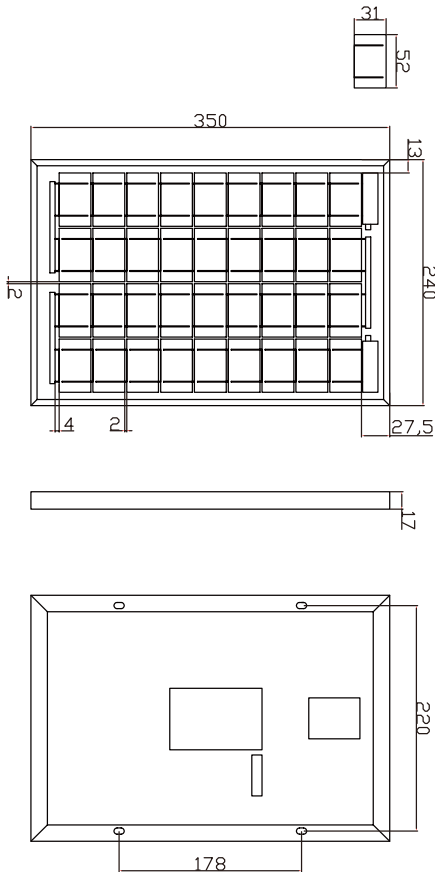
**LINEAR PERFORMANCE WARRANTY**  
12 year Product Warranty / 30 year Linear Power Warranty

# RSM010P



GLOBAL PROFESSIONAL PV PRODUCTS INTERGRATED SOLUTIONS SUPPLIER

Dimension of PV Modules Unit: mm



## ELECTRICAL DATA(STC)

Rated Power in Watts-Pmax(Wp)	10W
Open Circuit Voltage-Voc(V)	21.60V
Short Circuit Current-Isc(A)	0.62A
Maximum Power Voltage-Vmp(V)	18.20V
Maximum Power Current-Imp(A)	0.55A
Module Efficiency (%)	11.9%

STC: Irradiance 1000 W/m<sup>2</sup>, Cell Temperature 25°C, Air Mass AM1.5 according to EN 60904-3.

## ELECTRICAL DATA(NOCT)

Maximum Power-Pmax (Wp)	7.47W
Open Circuit Voltage-Voc (V)	20.02V
Short Circuit Current-Isc (A)	0.50A
Maximum Power Voltage-Vmp(V)	16.95V
Maximum Power Current-Imp(A)	0.44A

NOCT: Irradiance at 800 W/m<sup>2</sup>, Ambient Temperature 20°C, Wind Speed 1 m/s.

## MECHANICAL DATA

Solar cells	Poly-crystalline 52x31.2mm
Cell configuration	36 cells(4X9)
Module dimensions	240x350x17 mm
Weight	1KGS
Front Cover	3.2mm Tempered Glass
Frame Material	Anodized Aluminum Alloy
J-BOX	IP65 or IP67, 1 Diodes
Cable	0.5mm <sup>2</sup> (IEC), 800mm
Standard Packaging	20pcs/suite box

## TEMPERATURE & MAXIMUM RATINGS

Nominal Operating Cell Temperature (NOCT)	45°C±2°C
Temperature Coefficient of Voc	-0.32%/°C
Temperature Coefficient of Isc	0.05%/°C
Temperature Coefficient of Pmax	-0.39%/°C
Operational Temperature	-40~+85°C
Maximum System Voltage	1000V(IEC)/600V(UL)
Max Series Fuse Rating	15A